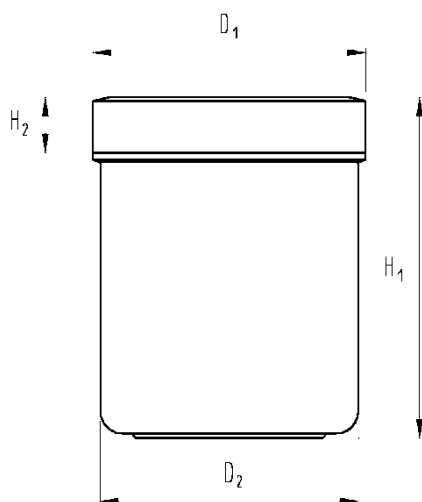




DATA SPECIFICATION – SCREW CAP CONTAINER



MATERIAL: Polypropylen (PP) – food safe
Pharmamaterial on inquiry

COLOUR: Standard colour white
on request transparent or any
colour combinations possible

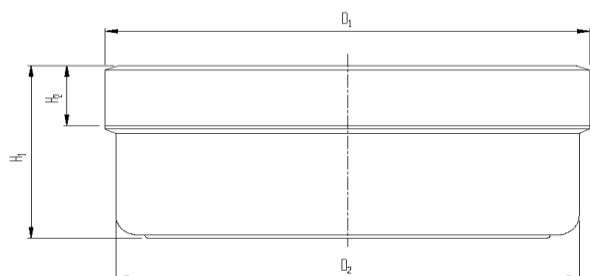
DECORATION: Screen printing / pad printing /
hot foil stamping

PRICE: on inquiry

Size	Description	Volume ml	Ø D ₁	Ø D ₂	H ₁	H ₂
0005	Screw cap container	6	29	26	17	5
0010	Screw cap container	12	29	26	31	5
0020	Screw cap container	25	34	31	40	7
0030	Screw cap container	35	38	35	48	8
0050	Screw cap container	60	45	42	56	10
0060	Screw cap container	75	45	42	65	10
0075	Screw cap container	90	56	53	52	11
0100	Screw cap container	125	56	53	67	11
0110	Screw cap container	135	56	53	73	11
0150	Screw cap container	185	73	69	60	13
0185	Screw cap container	185	56	53	101	11
0190	Screw cap container	240	73	69	73	13
0200	Screw cap container	250	73	69	78	13
0250	Screw cap container	310	81	76	81	15
0300	Screw cap container	375	81	76	97	15
0400	Screw cap container	500	96	90	91	16
0500	Screw cap container	625	96	90	114	16
0530	Screw cap container	625	81	76	156	15
0600	Screw cap container	750	113	106	98	17
0800	Screw cap container	1000	113	106	128	17
1000	Screw cap container	1250	113	106	159	17
1600	Screw cap container	2000	140	132	167	17



DATA SPECIFICATION – FLAT SCREW CAP CONTAINERS



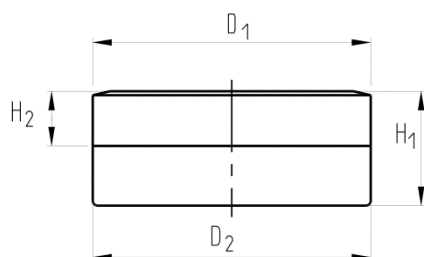
MATERIAL: Polypropylen (PP) – food safe
Pharmamaterial on inquiry

COLOUR: Standard colour white
on request transparent or any
colour combinations possible

DECORATION: Screen printing / pad printing /
hot foil stamping

PRICE: on inquiry

Size	Description	Volume ml	Ø D ₁	Ø D ₂	H ₁	H ₂
FLAT SCREW CAP CONTAINERS						
0010/35	Flat screw cap container	12	38	35	19	8
0020/35	Flat screw cap container	25	38	35	36	8
0030/35	Flat screw cap container	35	45	42	35	10
0050/35	Flat screw cap container	60	56	53	36	11
0060/35	Flat screw cap container	75	73	69	25	13
0100/35	Flat screw cap container	125	81	76	35	15
0100/45	Flat screw cap container medium	125	73	69	49	13
0150/35	Flat screw cap container	185	96	90	39	16
0200/35	Flat screw cap container	250	96	90	47	16



MATERIAL: Polypropylen (PP) – food safe
Pharmamaterial on inquiry

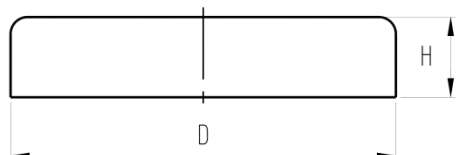
COLOUR: Standard colour white
on request transparent or any
colour combinations possible

PRICE: on inquiry

Size	Description	Volume ml	Ø D ₁	Ø D ₂	H ₁	H ₂
SPECIAL DESIGN						
0005/35	Cosmetic layout	6	29	29	17	5
6770	Pads-Container	40	56	56	23	11



DATA SPECIFICATION – SCREW CAP CONTAINERS – SPECIAL DESIGN Lid and Sealing washer

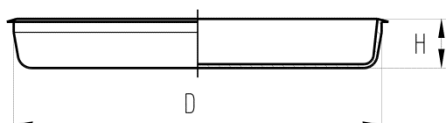


MATERIAL: Polypropylen (PP) or Polyethylen (PE)
- food safe -
Pharmamaterial on inquiry

COLOUR: Standard colour white
on request transparent or any
colour combinations possible

PRICE: on inquiry

Lid with radius	Ø D	H	Suitable for size					
0050/82-DT-	42	9,50	0030/35	0050	0060			
0100/82-DT-	53	11,50	0050/35	0075	0100	0110	0185	6770
0200/82-DT-	69	13,00	0060/35	0100/45	0150	0190	0200	
0300/82-DT-	76	14,70	0100/35	0250	0300	0530		
Lid with corrugation	Ø D	H	Suitable for size					
0185/32-DT- (= PE)	53	12,00	0185	0110				
0300/42-DT-0000	76	14,50	0100/35	0250	0300	0530		
0500/42-DT-0000	90	16,00	0150/35	0200/35	0400	0500		
Lid stackable	Ø D	H	Suitable for size					
0500/72-DT-0100	90	16,00	0150/35	0200/35	0400	0500		



MATERIAL: Polypropylen (PP) – food safe
Pharmamaterial on inquiry

COLOUR: Standard colour white
on request transparent or any
colour combinations possible

PRICE: on inquiry

Sealing washer	Ø D	H	Suitable for size					
0101/30	53	5,50	0050/35	0075	0100	0110	0185	6770
0201/30	69	9,00	0060/35	0100/45	0150	0190	0200	
0301/30	76	7,30	0100/35	0250	0300	0530		
0501/30	90	9,50	0150/35	0200/35	0400	0500		
1001/30	106	9,80	0600	0800	1000			