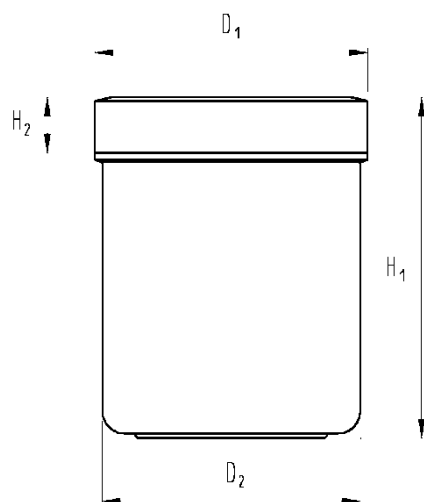




## DATA SPECIFICATION – SCREW CAP CONTAINER



**MATERIAL:** Polypropylen (PP) – food safe  
Pharmamaterial on inquiry

**COLOUR:** Standard colour white  
on request transparent or any  
colour combinations possible

**DECORATION:** Screen printing / pad printing /  
hot foil stamping

**PRICE:** on inquiry

Size	Description	Volume ml	Ø D <sub>1</sub>	Ø D <sub>2</sub>	H <sub>1</sub>	H <sub>2</sub>
0005	Screw cap container	6	29	26	17	5
0010	Screw cap container	12	29	26	31	5
0020	Screw cap container	25	34	31	40	7
0030	Screw cap container	35	38	35	48	8
0050	Screw cap container	60	45	42	56	10
0060	Screw cap container	75	45	42	65	10
0075	Screw cap container	90	56	53	52	11
0100	Screw cap container	125	56	53	67	11
0110	Screw cap container	135	56	53	73	11
0150	Screw cap container	185	73	69	60	13
0185	Screw cap container	185	56	53	101	11
0190	Screw cap container	240	73	69	73	13
0200	Screw cap container	250	73	69	78	13
0250	Screw cap container	310	81	76	81	15
0300	Screw cap container	375	81	76	97	15
0400	Screw cap container	500	96	90	91	16
0500	Screw cap container	625	96	90	114	16
0530	Screw cap container	625	81	76	156	15
0600	Screw cap container	750	113	106	98	17
0800	Screw cap container	1000	113	106	128	17
1000	Screw cap container	1250	113	106	159	17
1600	Screw cap container	2000	140	132	167	17