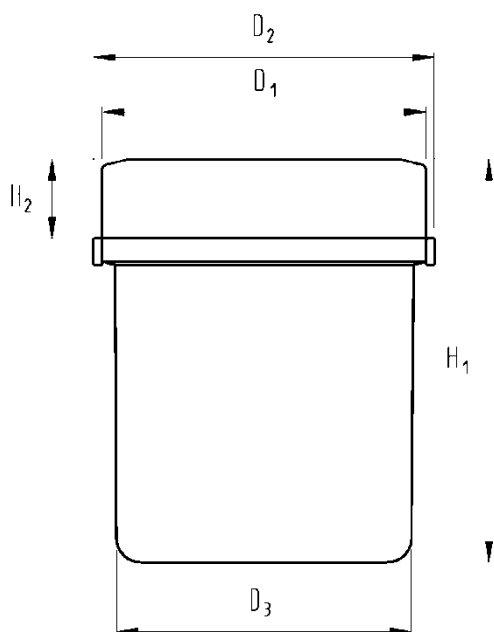




DATA SPECIFICATION – SCREW CAP CONTAINER WITH A TEMPER-EVIDENT CLOSURE



- MATERIAL:** Polypropylene (PP) / Polyethylene (PE)
food safe
- COLOUR:** Standard colour white
on request any colour combinations possible
- CHARACTERISTICS:** Cap sizes 2008/2012 and 2080/2100
with and **without** lip seal available
(all other sizes without lip seal)
- DEKORATION:** Screen printing / pad printing /
hot foil stamping
- PRICE:** on inquiry

Size	Description	Volume ml	Ø D ₁	Ø D ₂	Ø D ₃	H ₁	H ₂
2003	Screw cap container	35	38	42	34	52	12,0
2005	Screw cap container	60	46	50	41	59	13,5
2006	Screw cap container	75	46	50	41	72	13,5
2008	Screw cap container	100	58	62	54	53	15,0
2012	Screw cap container	150	58	62	54	77	15,0
2020	Screw cap container	250	76	80	71	74	17,0
2028	Screw cap container	350	76	80	71	101	17,0
2040	Screw cap container	500	96	100	91	92	18,5
2050	Screw cap container	625	96	100	91	114	18,5
2080	Screw cap container	1000	113	117	106	130	20,0
2100	Screw cap container	1250	113	117	106	162	20,0

Sealing washer	Ø	Suitable for size
----------------	---	-------------------

2003/10-DS-0000	34	2003
2005/10-DS-0000	41	2005 / 2006
2012/10-DS-0000	54	2008 / 2012
0251/10-DS-0000	71	2020 / 2028
0501/10-DS-0000	91	2040 / 2050
1001/30-DS-0000	106	2080 / 2100